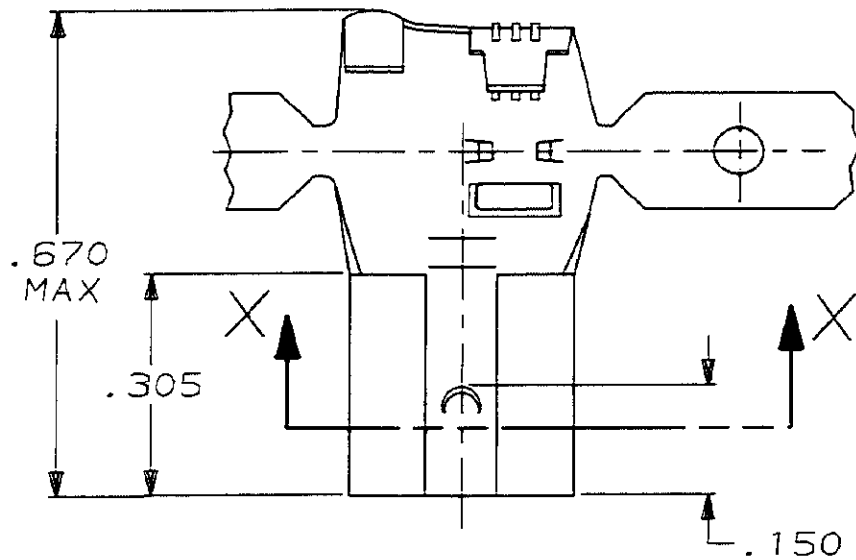


DRAWING MADE IN THIRD ANGLE PROJECTION

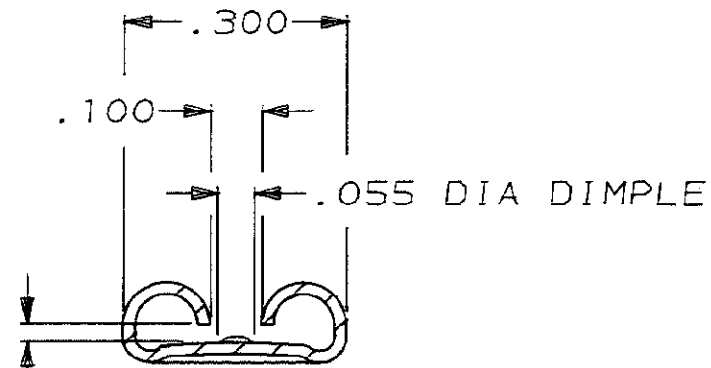
THIS DRAWING IS UNPUBLISHED. RELEASED FOR PUBLICATION, 19

© COPYRIGHT 19 BY AMP INCORPORATED. ALL INTERNATIONAL RIGHTS RESERVED.

LOC	DIST	P	F	REVISIONS				
				ZONE	LTR	DESCRIPTION	DATE	APPD
AF	50				W	REVISED PER ECR-12-013445	24NOV12	PD

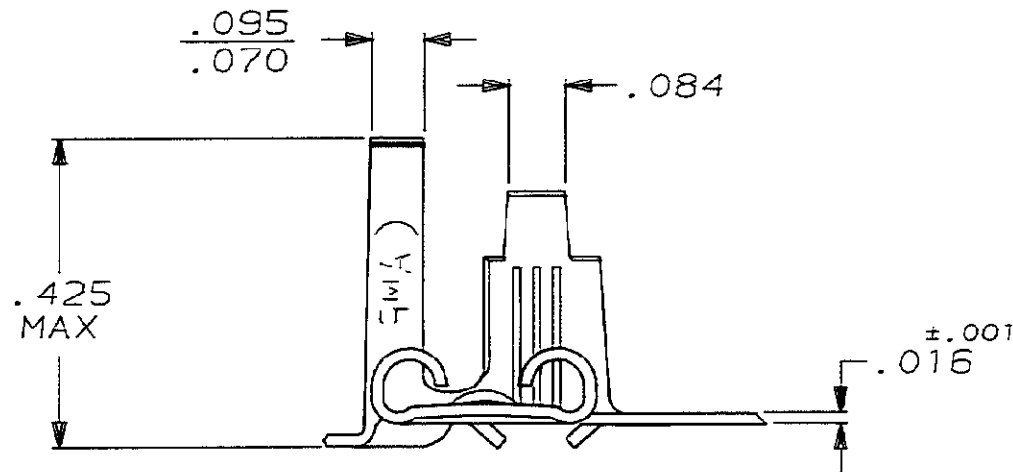


- 1 CONTINUOUS STRIP ON REELS.
- 2 FEED IS .760±.005.



FITS .250 SERIES FASTON TAB

SECTION X-X



OBSOLETE	TIN .000080 MIN	.110-.210	18-12 AWG	.032	60641-2
	-	.110-.210	18-12 AWG	.032	60641-1
	FINISH	INSULATION RANGE	WIRE SIZE	MATING TAB THK ±.001	PART NO
DO NOT SCALE PRINT. UNLESS SPECIFIED DIMENSIONS ARE IN INCHES. TOLERANCES ON: 2 PLC DEC ± - 3 PLC DEC ± .015 ANGLES ± -		DR 1/24/91 JR RUTH CHK 1/24/91 P FORTNEY			
MATERIAL BRASS		APPD 1/24/91 C MEYERS APPD 1/24/91 D REINER PRODUCT SPEC			
FINISH SEE TABLE		APPLICATION SPEC -	NAME RECEPTACLE, FASTON, FLAG, .250 SERIES		
		WEIGHT -	SIZE B	CAGE CODE 00779	DRAWING NO 60641
			SCALE 4:1	SHEET 1 OF 1	